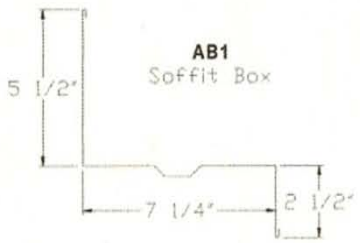
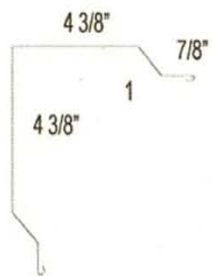
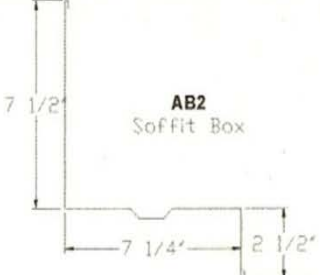
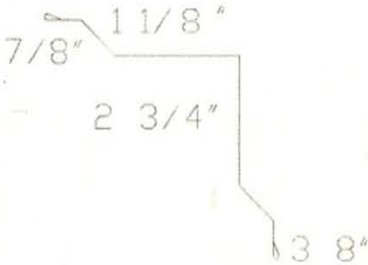
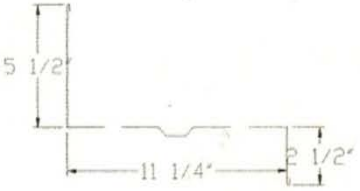
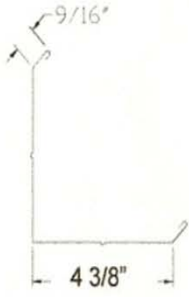
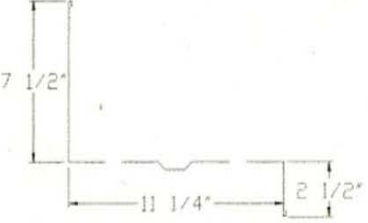
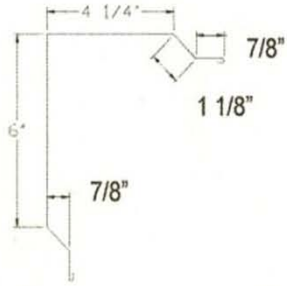
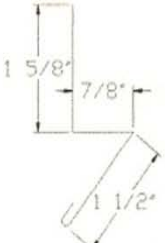
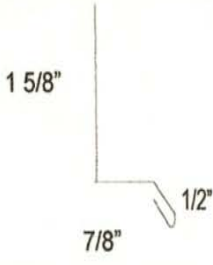
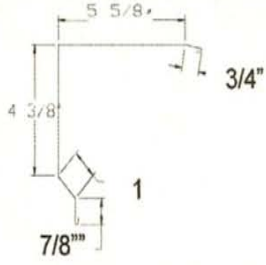

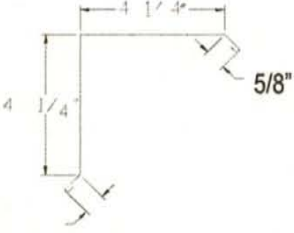
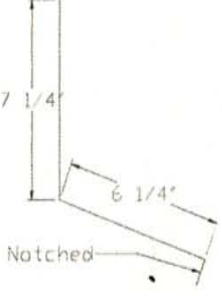
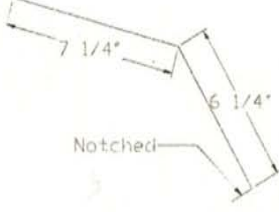
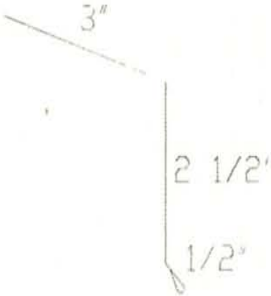
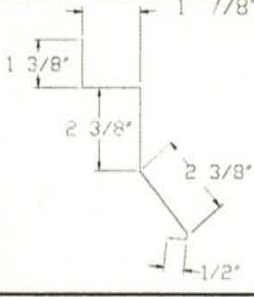

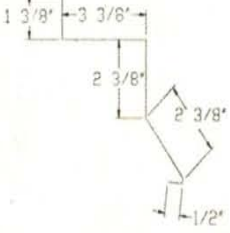

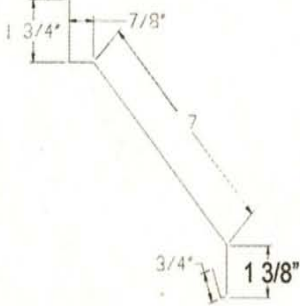


# Diamond L Supply

## Trim Pages

 <p><b>AB1</b> Soffit Box</p> <p>5 1/2" 7 1/4" 2 1/2"</p>	<p><b>AB1</b> Box Eave</p>	 <p>4 3/8" 7/8" 4 3/8" 1</p>	<p><b>AC1</b> O/S Corner 15 1/4" X 10'6" 15 1/4" X 12'6" 15 1/4" X 14'6" 15 1/4" X 16'6"</p>
 <p><b>AB2</b> Soffit Box</p> <p>7 1/2" 7 1/4" 2 1/2"</p>	<p><b>AB2</b> Box Eave</p>	 <p>1 1/8" 7/8" 2 3/4" 3 8"</p>	<p><b>AC2</b> I/S Corner</p>
 <p><b>AB3</b> Soffit Box</p> <p>5 1/2" 11 1/4" 2 1/2"</p>	<p><b>AB3</b> Box Eave</p>	 <p>9/16" 4 3/8"</p>	<p><b>AC3</b> Outside Corner</p>
 <p><b>AB4</b> Soffit Box</p> <p>7 1/2" 11 1/4" 2 1/2"</p>	<p><b>AB4</b> Box Eave</p>	 <p>4 1/4" 7/8" 1 1/8" 6" 7/8"</p>	<p><b>AC4</b> Corner Gable 14 1/2" X 10'6" 14 1/2" X 14'6"</p>
 <p><b>ABG1</b> Base Guard</p> <p>1 5/8" 7/8" 1 1/2"</p>	<p><b>ABG1</b> Base Guard</p>		

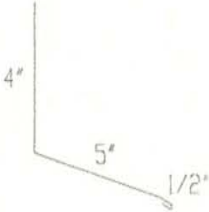
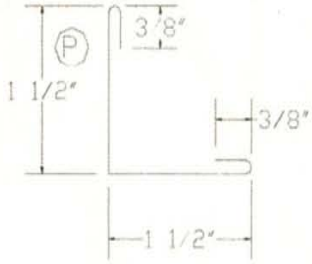
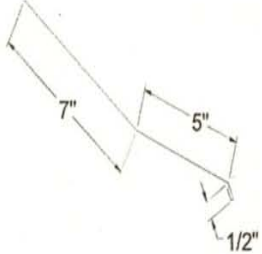
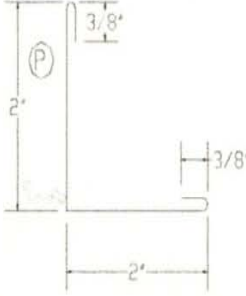
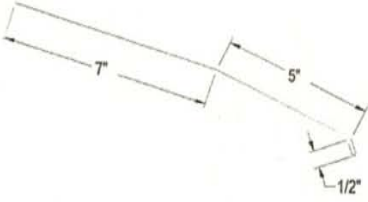
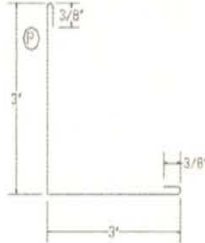
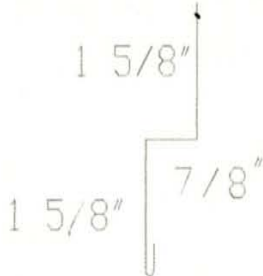
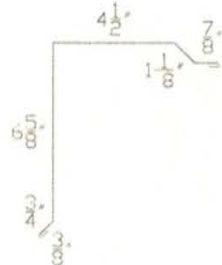
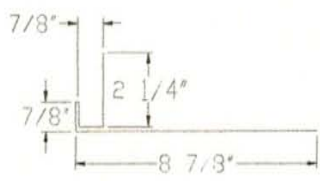
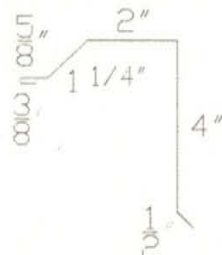
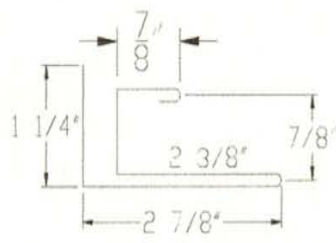
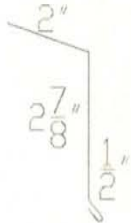
 <p>1 5/8" 7/8" 1/2"</p>	<p>AD1 Drip 15 1/4" X 10'6"</p>	 <p>5 5/8" 3/4" 4 3/8" 7/8" 1</p>	<p>AG1 Box Gable</p>
 <p>4 5/8" 3" 1 1/8" 7/8"</p>	<p>AE1 Eave 15 1/4" X 10'6"</p>	 <p>4 1/4" 5/8" 4 1/4"</p>	<p>AG4 Box Gable</p>
 <p>7 1/4" 6 1/4" Notched</p>	<p>AEWN4 Notched Endwall <b><u>**Not available**</u></b></p>	 <p>7 1/4" 6 1/4" Notched</p>	<p>AGRN4 Notched Gambrel <b><u>**Not Available**</u></b></p>
 <p>3" 2 1/2" 1/2"</p>	<p>CE1 Denver Eave</p>	 <p>1 7/8" 1 3/8" 2 3/8" 2 3/8" 1/2"</p>	<p>AH2 Door Track Cover</p>
 <p>3" 4 3/8" 1/2"</p>	<p>CE2 Denver Eave</p>	 <p>1 3/8" 3 3/8" 2 3/8" 2 3/8" 1/2"</p>	<p>AH3 Door Track Cover</p>
 <p>3" 4 3/8" 1/2"</p>	<p>CE2 Denver Eave</p>	 <p>1 3/4" 7/8" 3/4" 1 3/8"</p>	<p>AH4 Door Track Cover</p>

	<p><b>AH5</b> Door Track Cover</p>		<p><b>AJ6</b> Door Jamb</p>
	<p><b>AH6</b> Door Track Cover</p>	<p>AL2 = 3 1/2" AL3 = 5 1/2" AL4 = 7 1/4" AL5 = 9 1/4"</p>	<p><b>AL2</b> Angle 5 1/2" X 10'6"</p>
	<p><b>AJ2</b> J Channel</p>		<p><b>AL3</b> Angle 7 1/2" X 10'6"</p>
	<p><b>AJ3</b> J Channel 10'6" 12'6"</p>		<p><b>AL4</b> Angle 9 1/4" X 10'6"</p>
	<p><b>AJ4</b> Door Jamb</p>		<p><b>AL6</b> Angle 3 1/4" X 10'6"</p>
	<p><b>AJ5</b> Door Jamb</p>		<p><b>AL7</b> Angle 4 5/16" X 10'6"</p>
			<p><b>AR3</b> Ridge Cap 14 1/2" X 10'6"</p>

	<p><b>FH1</b></p>		<p><b>RG1</b></p>
	<p><b>FH3</b></p>		<p><b>RR1</b></p>
	<p><b>AR3V</b></p>		<p><b>RV1</b></p>

	JC1		WG4 Formally UT7
	JC2		RV2 - W Valley
	JC3		CP1 Peak Cap
	WL1		CP2
	AEW1		RJ8
	ASW2		WG1 Res. Gable 8 13/16 X 10'6"



	<p>ASW1 Sidewall</p>		<p>SEA 401</p>
	<p>AT1</p>		<p>SEA 402</p>
	<p>AT2</p>		<p>SEA 403</p>
	<p>AZ2</p>		<p>WG5A</p>
	<p>PJFB</p>		<p>MG1</p>
	<p>RJ9</p>		<p>ME1</p>

	FR2		FC3
	FR4		FC4
	FE2		FC6
	FG4		FC7
	FT1		FJ3
			FJ4